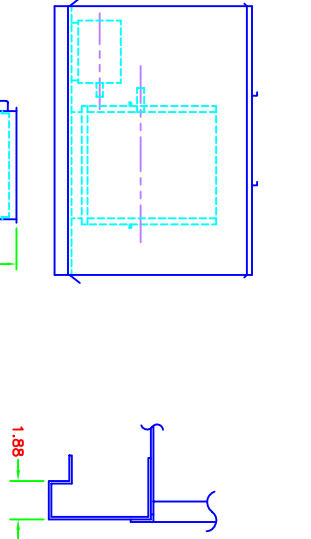
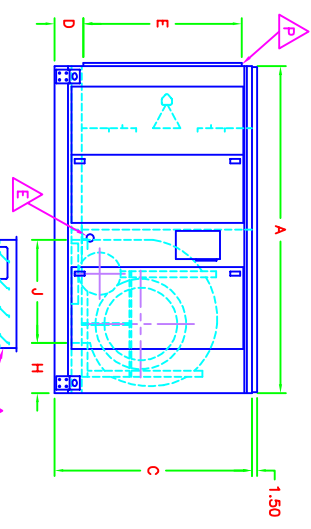
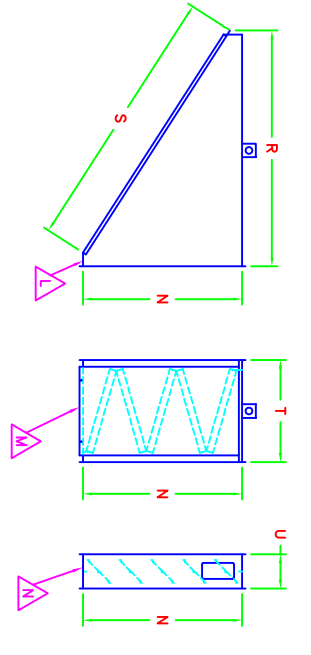
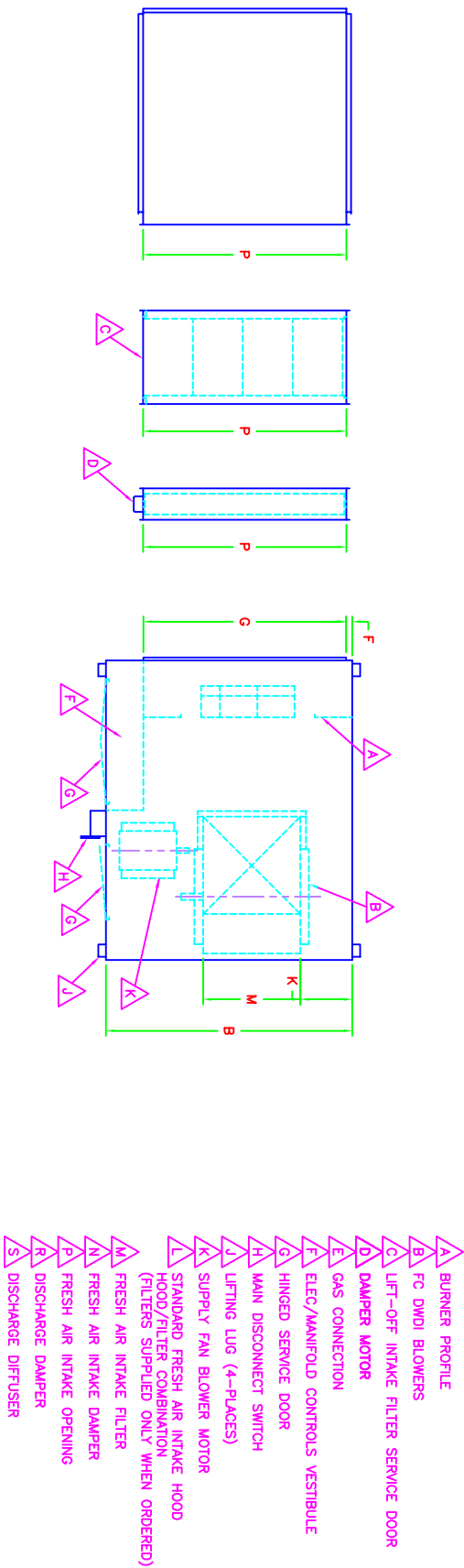


| MODEL NO | A   | B  | C  | D    | E    | F | G  | H     | J     | K    | M    | N     | P     | R     | S   | T  | U  | V     | X     | Y     | Z  | **FA FILTER QUANTITY    | **FA FILTER/HOOD QUANTITY |
|----------|-----|----|----|------|------|---|----|-------|-------|------|------|-------|-------|-------|-----|----|----|-------|-------|-------|----|-------------------------|---------------------------|
| 18       | 82  | 60 | 54 | 8.5  | 40.5 | 2 | 56 | 13    | 25    | 12.5 | 23   | 40.75 | 56.25 | 69.5  | 76  | 28 | 10 | 25.25 | 23.25 | 31.5  | 10 | (6)20"x25"&(3)16"x25"   | (6)20"x25"&(3)16"x25"     |
| 20       | 82  | 60 | 54 | 8.5  | 40.5 | 2 | 56 | 13    | 25    | 12.5 | 23   | 40.75 | 56.25 | 69.5  | 76  | 28 | 10 | 25.25 | 23.25 | 31.5  | 10 | (6)20"x25"&(3)16"x25"   | (6)20"x25"&(3)16"x25"     |
| 22       | 100 | 79 | 58 | 8.5  | 46.5 | 2 | 76 | 14.13 | 27.5  | 15.5 | 27.5 | 46.75 | 76.25 | 69.5  | 76  | 28 | 10 | 27.75 | 27.75 | 33.75 | 10 | (9)20"x25"&(3)16"x25"   | (9)20"x25"&(3)16"x25"     |
| 25       | 100 | 79 | 58 | 8.5  | 46.5 | 2 | 76 | 15.38 | 31.5  | 15.5 | 31.5 | 46.75 | 76.25 | 69.5  | 76  | 28 | 10 | 31.75 | 31.75 | 37.75 | 10 | (9)20"x25"&(3)16"x25"   | (9)20"x25"&(3)16"x25"     |
| 27       | 100 | 88 | 66 | 10.5 | 52.5 | 2 | 80 | 17    | 34.5  | 15.5 | 34.5 | 52.75 | 80.25 | 95.25 | 101 | 28 | 10 | 34.75 | 34.75 | 40    | 10 | (16)20"x25"             | (16)20"x25"               |
| 30       | 100 | 88 | 66 | 10.5 | 52.5 | 2 | 80 | 18.5  | 37    | 15.5 | 37   | 52.75 | 80.25 | 95.25 | 101 | 28 | 10 | 37.25 | 37.25 | 43    | 10 | (20)20"x25"             | (16)20"x25"               |
| 33       | 112 | 98 | 76 | 11.5 | 59.5 | 2 | 92 | 16.5  | 43.19 | 18.5 | 40   | 59.75 | 92.25 | 91.25 | 101 | 28 | 10 | 43.25 | 40.25 | 48    | 10 | (15)20"x25"&(10)16"x25" | (12)20"x25"&(8)16"x25"    |
| 36       | 112 | 98 | 76 | 11.5 | 59.5 | 2 | 92 | 16.5  | 43.19 | 15.5 | 43   | 59.75 | 92.25 | 91.25 | 101 | 28 | 10 | 43.25 | 43.25 | 48    | 10 | (15)20"x25"&(10)16"x25" | (12)20"x25"&(8)16"x25"    |



TYPICAL BASE DETAIL

NOTES:  
 -1 INCH CONNECTION FLANGE SUPPLIED AROUND FRESH AIR INTAKE OPENING  
 -EQUIPMENT SUPPORT RECOMMENDED UNDER FRESH AIR INTAKE FILTER ON RAM 22 & UP  
 -EQUIPMENT SUPPORT RECOMMENDED UNDER FRESH AIR INTAKE HOOD ON RAM 22 & UP  
 -DISCHARGE DIFFUSER SUPPLIED WITH ADJUSTABLE BLADES  
 -BURNER PROFILE AVAILABLE IN TWO-SPEED CONFIGURATION  
 -BASE DESIGNED FOR FLAT MOUNT OR CURB MOUNT  
 -ALL DIMENSIONS SHOWN IN INCHES  
 -\*\*FA : FRESH AIR  
 -\*\*\*-LIFTING EYES ARE LOCATED ON INTAKE & DISCHARGE ENDS ON RAM 33/36

**RUPP AIR**  
MANAGEMENT SYSTEMS

DRAWN BY: TKL  
DATE: 02/10/00

APPROVED BY: \_\_\_\_\_  
DATE: \_\_\_\_\_

REVISION DESCRIPTION

| REV | TITLE |
|-----|-------|
|     |       |
|     |       |
|     |       |
|     |       |

RAM-18, 20, 22, 25, 27, 30, 33 AND 36  
ARRANGEMENT H2 DOWN DISCHARGE

7200040C  
30400027

ECH NO DWG DATE

TOLERANCES  
2 PLCS ±.03  
3 PLCS ±.015

DO NOT SCALE DRAWING USE DIMENSIONS SHOWN  
ALL DIMENSIONS ARE IN INCHES UNLESS OTHERWISE SPECIFIED